

# Vietnamese Birch

## Specifications



	WHITE BIRCH	WHITE BIRCH W/ MDF CORE	WHITE BIRCH W/ MAGNOLIA CORE
<b>ORIGIN</b>	Vietnam	Vietnam	Vietnam
<b>SPECIES</b>	White Birch	White Birch	White Birch
<b>CORE</b>	Acacia & Eucalyptus	MDF	Magnolia
<b>FACE/BACK</b>	White Birch	White Birch	White Birch
<b>GRADE</b>	B2, C2, C3, Market	C3	C2
<b>FINISH</b>	Raw, Prefinish	Raw	Raw
<b>SIZE</b>	48" x 96", 48.5" x 96.5", 48" x 120"	48" x 96"	48.5" x 96.5"
<b>VENEER CUT</b>	Rotary Cut, WPF	Rotary Cut, WPF	Rotary Cut, WPF
<b>VENEER THICKNESS</b>	0.3mm	0.3mm	0.3mm
<b>SURFACE SANDING</b>	240-320 grit finish	240-320 grit finish	240-320 grit finish
<b>GLUE TYPE</b>	Interior, TSCA Title VI	Interior, TSCA Title VI	Interior, TSCA Title VI
<b>MOISTURE CONTENT</b>	<12%	<12%	<12%
<b>APPLICATIONS</b>	Cabinetry, furniture, shelving, trim work, lamination	Cabinet door inserts and door panels	Cabinetry, furniture, shelving, trim work, lamination



WHITE BIRCH	5.2MM	9MM	12MM	15MM	18MM	25MM
<b># OF PLYS</b>	5	7	9	11	11-13	17
<b>THICKNESS VARIATION</b>	4.8mm-5.2mm	8.5mm-9.3mm	11.5mm-12.3mm	14.5mm-15.3mm	17.5mm-18.3mm	24.5mm-25.3mm
<b>SHEETS PER CRATE</b>	180	104	78	62	52	36
WHITE BIRCH W/ MDF CORE	5.2MM					
<b># OF PLYS</b>	3					
<b>THICKNESS VARIATION</b>	4.8mm-5.2mm					
<b>SHEETS PER CRATE</b>	180					
WHITE BIRCH W/ MAGNOLIA CORE			12MM		18MM	
<b># OF PLYS</b>			9		13	
<b>THICKNESS VARIATION</b>			11.5mm-12.3mm		17.5mm-18.3mm	
<b>SHEETS PER CRATE</b>			78		52	



Based on availability, USply reserves the right to substitute product that may vary in species, core, country of origin, and/or other specifications.

# Indonesian Birch

## Specifications



<b>ORIGIN</b>	Indonesia
<b>SPECIES</b>	White Birch
<b>CORE</b>	Falcata & MLH
<b>FACE/BACK</b>	White Birch
<b>FINISH</b>	C2, C3, Market
<b>SIZE</b>	Raw, Prefinish
<b>GRADE</b>	48" x 96", 48.5" x 96.5"
<b>VEENER CUT</b>	Rotary Cut, WPF
<b>VEENER THICKNESS</b>	0.3mm
<b>SURFACE SANDING</b>	240-320 grit finish
<b>GLUE TYPE</b>	Interior, TSCA Title VI
<b>MOISTURE CONTENT</b>	<12%
<b>APPLICATIONS</b>	Cabinetry, furniture, shelving, trim work, lamination



THICKNESS	# OF PLYS	THICKNESS VARIATION	SHEETS PER CRATE
5.2mm	5	4.8mm-5.2mm	180
12mm	7-9	11.5mm-12.3mm	78
18mm	9-13	17.5mm-18.3mm	52



Source: Gravtex.eu

Based on availability, USply reserves the right to substitute product that may vary in species, core, country of origin, and/or other specifications.

# Cabinet Liner

## Specifications

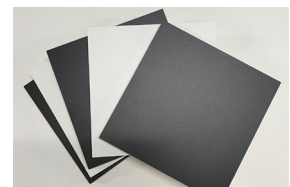


<b>ORIGIN</b>	China
<b>CORE</b>	Poplar
<b>FACE/BACK</b>	HPL, Softwood Veneer
<b>FINISH</b>	White, Black
<b>SIDES</b>	1-Side, 2-Side
<b>SIZE</b>	48" x 96"
<b>HPL THICKNESS</b>	0.5mm
<b>GLUE TYPE</b>	Interior, TSCA Title VI
<b>MOISTURE CONTENT</b>	<12%

**APPLICATIONS** Cabinet box construction, as well as casing and shelving



WHITE CABINET LINER	5.2MM	12MM	15MM	18MM
<b># OF PLYS</b>	5	9	11	13
<b>THICKNESS VARIATION</b>	4.8mm-5.2mm	11.5mm-12.3mm	14.5mm-15.3mm	17.5mm-18.3mm
<b>SHEETS PER CRATE</b>	180	78	62	52
BLACK CABINET LINER		12MM		18MM
<b># OF PLYS</b>		9		13
<b>THICKNESS VARIATION</b>		11.5mm-12.3mm		17.5mm-18.3mm
<b>SHEETS PER CRATE</b>		78		52



PER THE REQUIREMENTS OF THE ASTM E84-2022 STANDARD TEST METHOD FOR SURFACE BURNING CHARACTERISTICS OF BUILDING MATERIALS, THE CABINET LINER WE SOURCE HAS A FLAME SPREAD INDEX (FSI) OF 20 AND A SMOKE DEVELOPED INDEX (SDI) OF 25, GIVING THIS PRODUCT A CLASS A FIRE RATING.

A sampling of the Cabinet Liner USply sources was third-party tested following standard industry tests that include ASTM D3359-23 Rating Adhesion by Tape Test (crosshatch method), ANSI/KCMA A161.1-2022 Section 9.4 Chemical Resistance Test, and EN16611:2023 Furniture - Assessment of the Surface Resistance to Micro-Scratching Test. For actual test results, please contact your USply Sales Representative. USply does not guarantee results and assumes no obligation or liability related to this information. Test results are relevant only to the sample(s) tested.

Based on availability, USply reserves the right to substitute product that may vary in species, core, country of origin, and/or other specifications.

# Meranti

## Specifications



<b>ORIGIN</b>	Indonesia, Malaysia
<b>SPECIES</b>	Meranti
<b>CORE</b>	Meranti
<b>FACE/BACK</b>	Meranti
<b>GRADE</b>	OVL/BTR, PBB/CC
<b>FINISH</b>	Raw
<b>SIZE</b>	48" x 96"
<b>VENEER CUT</b>	Rotary Cut, WPF
<b>VENEER THICKNESS</b>	0.5mm
<b>SURFACE SANDING</b>	240-320 grit finish
<b>GLUE TYPE</b>	Interior, TSCA Title VI
<b>MOISTURE CONTENT</b>	<12%
<b>APPLICATIONS</b>	Paneling, trailer liner, bookshelf backs, store fixtures, furniture components

THICKNESS	# OF PLYS	THICKNESS VARIATION	SHEETS PER CRATE
2.7mm	3	2.5mm-2.7mm	330
5.2mm	5	4.8mm-5.2mm	180

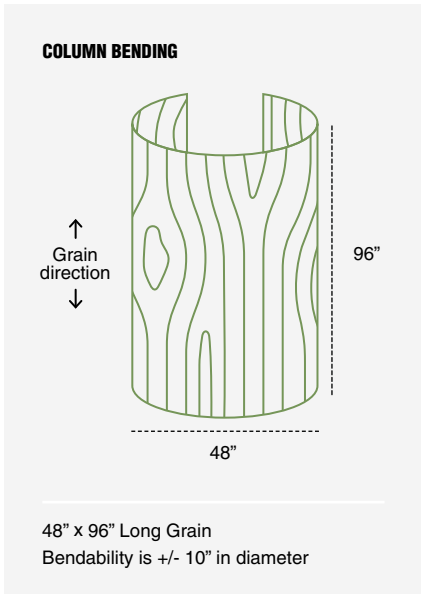
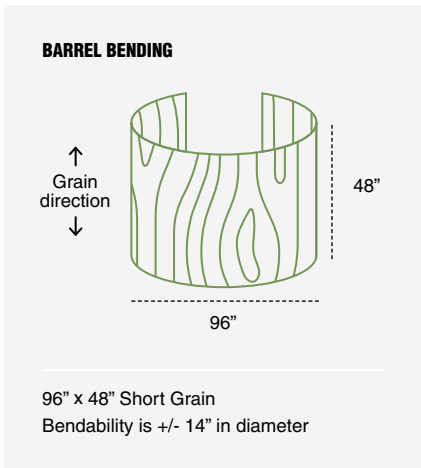


Based on availability, USply reserves the right to substitute product that may vary in species, core, country of origin, and/or other specifications.

# Bending Plywood Specifications



<b>ORIGIN</b>	Indonesia
<b>SPECIES</b>	Falcata
<b>CORE</b>	Meranti
<b>FACE/BACK</b>	Falcata
<b>FORMAT</b>	Barrel, Column
<b>THICKNESS</b>	8mm
<b># OF PLYS</b>	3
<b>THICKNESS VARIATION</b>	7.5mm-8.2mm
<b>SIZE</b>	96" x 48" (Barrel Short Grain) 48" x 96" (Column Long Grain)
<b>VENEER CUT</b>	WPF
<b>VENEER THICKNESS</b>	4.0mm
<b>SURFACE SANDING</b>	240-320 grit finish
<b>GLUE TYPE</b>	Interior, TSCA Title VI
<b>MOISTURE CONTENT</b>	<12%
<b>SHEET PER CRATE</b>	110
<b>APPLICATIONS</b>	Columns and arches, curved cabinetry, rounded furniture



Based on availability, USply reserves the right to substitute product that may vary in species, core, country of origin, and/or other specifications.

# Import Maple

## Specifications



	5.2MM	12MM / 18MM
<b>ORIGIN</b>	Vietnam	Vietnam
<b>SPECIES</b>	White Maple	White Maple
<b>CORE</b>	Acacia or Eucalyptus	Magnolia
<b>FACE/BACK</b>	White Maple	White Maple
<b>GRADE</b>	B4	B2
<b>FINISH</b>	Raw, Prefinish	Raw, Prefinish
<b>SIZE</b>	48.5" x 96.5"	48.5" x 96.5"
<b>VENEER CUT</b>	Rotary Cut, WPF	Rotary Cut, WPF
<b>VENEER THICKNESS</b>	0.3mm	0.3mm
<b>SURFACE SANDING</b>	240-320 grit finish	240-320 grit finish
<b>GLUE TYPE</b>	Interior, TSCA Title VI	Interior, TSCA Title VI
<b>MOISTURE CONTENT</b>	<12%	<12%
<b>APPLICATIONS</b>	Cabinetry, furniture, paneling, decorative veneer	Cabinetry, furniture, paneling, decorative veneer

THICKNESS	# OF PLYS	THICKNESS VARIATION	SHEETS PER CRATE
5.2mm	5	4.8mm-5.2mm	180
12mm	9	11.5mm-12.3mm	78
18mm	13	17.5mm-18.3mm	52



Based on availability, USply reserves the right to substitute product that may vary in species, core, country of origin, and/or other specifications.

# Trident Marine

## Specifications



<b>ORIGIN</b>	Malaysia
<b>CORE</b>	Medang / Kelat
<b>FACE/BACK</b>	Meranti
<b>GRADE</b>	B/BB
<b>FINISH</b>	Raw
<b>SIZE</b>	48" x 96"
<b>VENEER CUT</b>	Rotary Cut, WPF
<b>VENEER THICKNESS</b>	1.0mm
<b>SURFACE SANDING</b>	120-240 grit finish
<b>GLUE TYPE</b>	WBP EPA Certified
<b>MOISTURE CONTENT</b>	8%-12%

**APPLICATIONS** Boats, ships, docks, baths, kitchens, decks, patios, porches



THICKNESS	# OF PLYS	THICKNESS VARIATION	SHEETS PER CRATE
12mm	7	11.5mm-12.5mm	78
18mm	9	17.5mm-18.5mm	52



TRIDENT MARINE FOLLOWS ALL GUIDELINES PER STANDARD GRADING BS 1088.

Based on availability, USply reserves the right to substitute product that may vary in species, core, country of origin, and/or other specifications.

# Trident Marine

## Standard Grading BS 1088



NATURAL DEFECTS		
NUMBER	CATEGORY OF DEFECT	BB
1	Burls	Permitted
2	Pin Knots	Permitted
3	Live Knots	Permitted, 5 per m2 from face. Max dia. 25mm and not clustered
4	Knot Holes	Not Permitted
5	Color Variation	Permitted, not many
6	Stain/Mineral Streaks	Permitted, not many
7	Dry Pitch and Back Pocket	Permitted, Light 2 per m2, max width 4mm and max length 100mm, well filled
8	Wormholes, Pinholes, Worm Tracks	Permitted, small, no color change and not long, puttied
9	Vine Marks	Permitted, not many, lightly sanded and smooth
10	Joints	Permitted, max 3 joints, open width max 3mm and max length 10% of panels length and puttied
11	Splits-Open	Permitted
12	Splits - Filed or Puttied	Permitted, max 2 per panel on panel end, max width 5mm max length 8.5% of panel length, tight and color match
13	Fill or Putty Smears	Permitted, slight and smooth sanded
14	Rough Cut	Permitted, slight
15	Shims	Permitted, max 5mm, length 300mm, tight and color match
16	Knife Marks	Permitted, width 0.8mm and slight
17	Tape/Glue Residue	Permitted, slight and smooth sanded
18	Sanding	Permitted, slight
19	Chicken Tracks	Permitted

Based on availability, USply reserves the right to substitute product that may vary in species, core, country of origin, and/or other specifications.