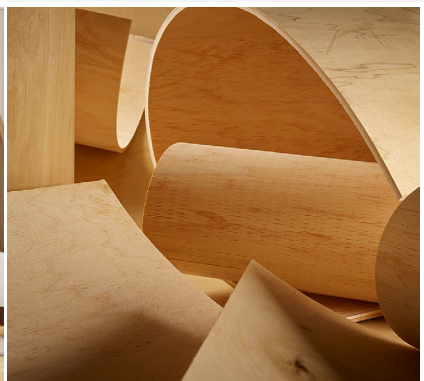
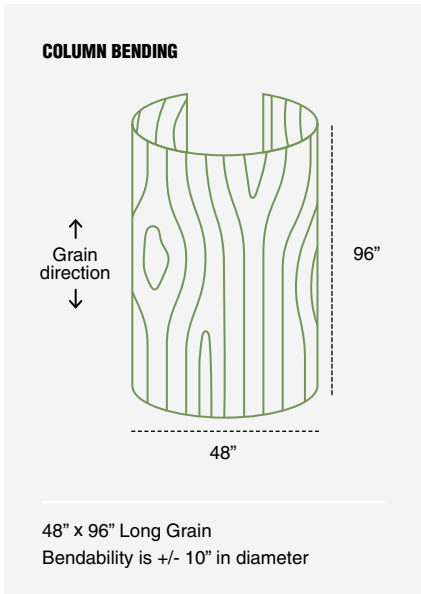
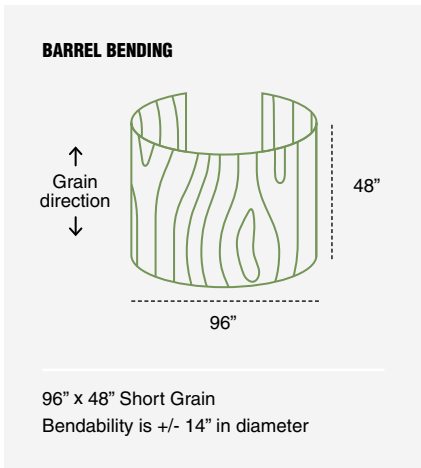


Bending Plywood Specifications



ORIGIN	Indonesia
SPECIES	Falcata
CORE	Meranti
FACE/BACK	Falcata
FORMAT	Barrel, Column
THICKNESS	8mm
# OF PLYS	3
THICKNESS VARIATION	7.5mm-8.2mm
SIZE	96" x 48" (Barrel Short Grain) 48" x 96" (Column Long Grain)
VENEER CUT	WPF
VENEER THICKNESS	4.0mm
SURFACE SANDING	240-320 grit finish
GLUE TYPE	Interior, TSCA Title VI
MOISTURE CONTENT	<12%
SHEET PER CRATE	110
APPLICATIONS	Columns and arches, curved cabinetry, rounded furniture



Based on availability, USply reserves the right to substitute product that may vary in species, core, country of origin, and/or other specifications.